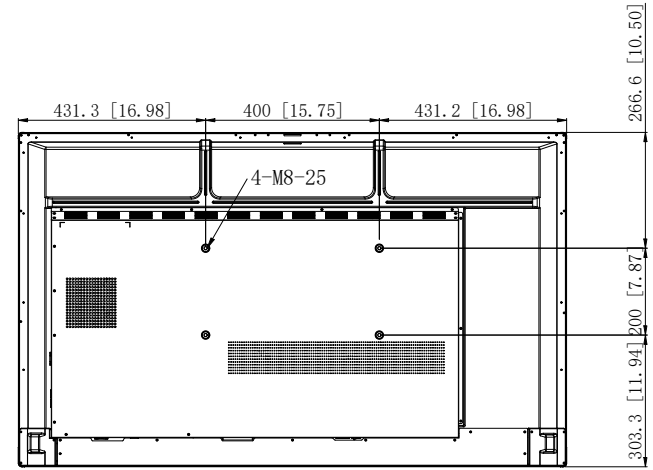
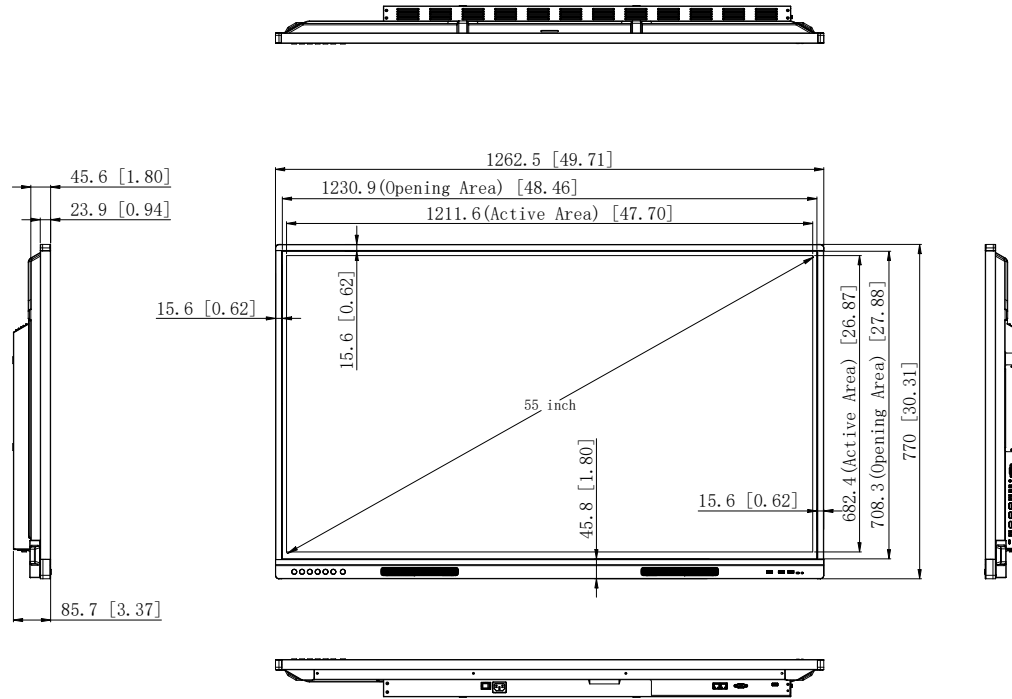


| 6 | | | 7 | | 8 |
|------|-----|------|--------------------|--|----------|
| Sign | VER | Date | Change Description | | Designer |
| \ | 1.0 | \ | 初版发行 | | \ |
| △ | \ | \ | \ | | \ |
| △ | | | | | |
| △ | | | | | |



| TOLERANCES (Unless Otherwise Stated) | |
|---|-------|
| 尺寸范围 | 公差 |
| ≤63 | ±0.10 |
| 63<x≤120 | ±0.15 |
| 160<x≤400 | ±0.20 |
| 400<x≤1000 | ±0.25 |
| >1000 | ±0.3 |
| Angle | ±0.5° |

本公司适用于钣金开模件

Third Projection

| View Sonic | | | | |
|-------------|-------|------|-------|--|
| Project NO. | Unit | mm | NOTES | |
| IFP55G1 | mm | mm | \ | |
| Part NO. | Scale | 1:1 | \ | |
| IFP55G1 | Scale | 1:1 | \ | |
| Part Name | Size | free | \ | |
| \ | Size | free | \ | |
| Material | Pages | 1/1 | \ | |
| \ | Pages | 1/1 | \ | |
| Color NO. | APV | | \ | |
| \ | APV | | \ | |
| Designer | \ | | | |
| \ | \ | | | |